

Quantum 100 W Power Supply

Wet/damp/dry-rated power supply

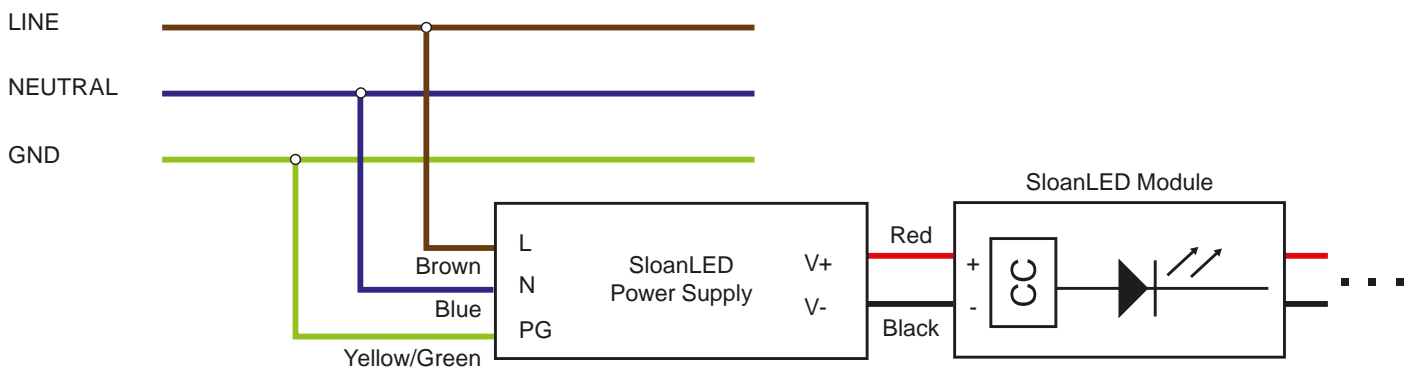
12 VDC **24 VDC**

701507-100E1

701895-100E1

- European input voltage – 200 - 240 VAC, 50-60Hz
- Constant voltage output: 12 VDC (701507-100E1), 24 VDC (701895-100E1)
- Auto-resetting – No fuses to replace or circuit breaker to reset – Short circuit protection automatically resets when short condition is corrected
- Approved by ENEC
- Approved CE by Third Party Test Lab
- Simple secondary hook-ups – No minimum load or load balancing required
- 5-year product and limited labor warranty
- Rugged and compact

Wiring diagram



In the end application, the maximum case temperature (T_c) shall not be exceeded 90°C .
The product is intended for IP68 environment.



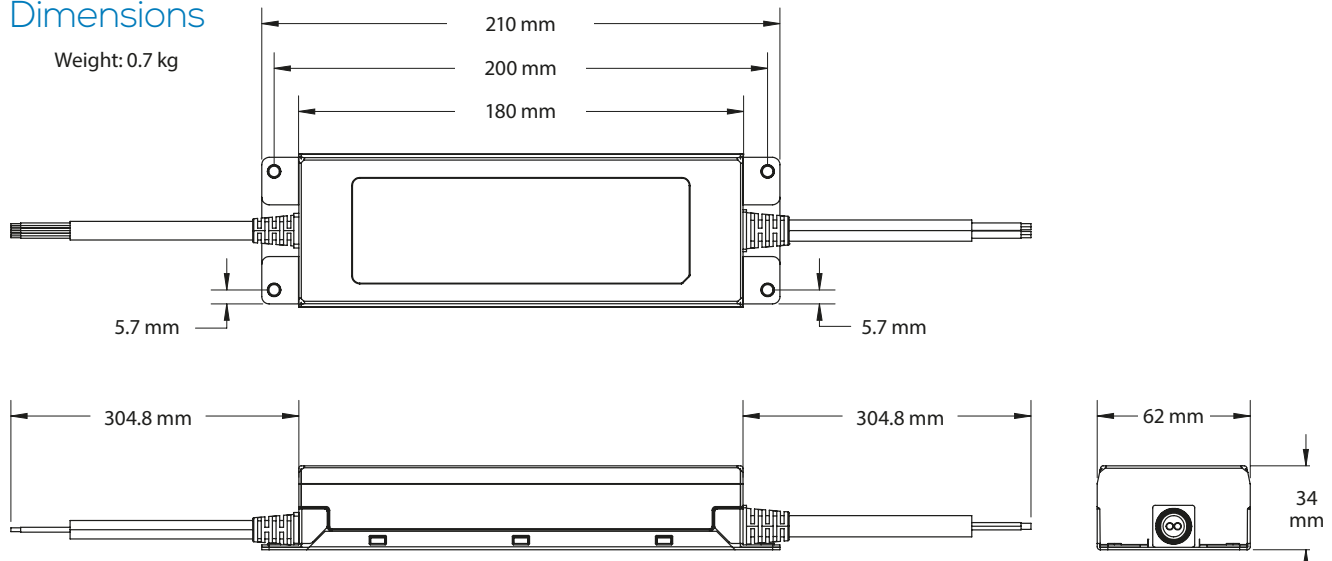
Quantum 100 W Power Supply

12 VDC **24 VDC**

Wet/damp/dry-rated power supply

Dimensions

Weight: 0.7 kg



SloanLED Headquarters

5725 Olivas Park Drive, Ventura, CA, USA
805.676.3200 • info@SloanLED.com

SloanLED Europe b.v.

Argonstraat 110, 2718 SN Zoetermeer, NL
+31 88 12 44 900 • europe@SloanLED.com



SloanLED.com

Specifications subject to change without notice.
© 2022 SloanLED Rev B 2022-08-30



Visit product page
for details.

Specifications subject to change without notice.

